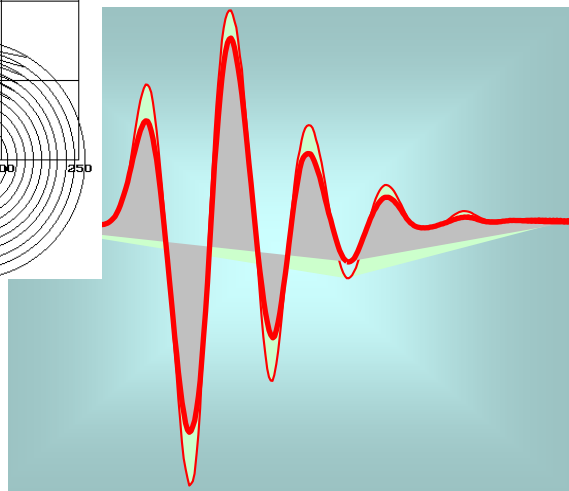
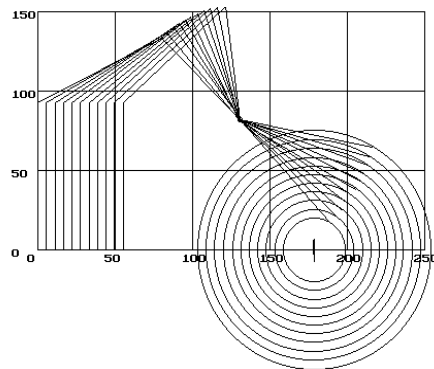


# International Journal of Mechanics and Control

Editor in Chief: Ario Romiti  
Managing editor: Andrea Manuello Bertetto



time = 0.97 s ; actual roll angle = -0.994 deg ; desired roll angle = 0 deg

